

about

- uso** *internal*
- tipologia** *sofa*
- anno** *1967*
- dimensioni** *248 x 248 x 50[h] cm*
- materiali** *frame in solid wood painted silver, plank in poplar plywood, cushions in polyurethane foam, cover fabric in Casentino cloth (100% wool) with padding in polyurethane.*



warning

- ⚠ *Never place the sofa less than 20—30 cm from a radiator or expose it to direct sunlight.*
- ⚠ *When sitting on pillows, care should be taken not to wear studs or buttons that can scratch the coating.*
- ⚠ *Dust should be removed from the cushions by passing a soft cloth, as clothes beaters and vacuum cleaners could damage the padding and the coating.*
- ⚠ *Stains should be treated as soon as possible with a clean white cloth, moistened with warm water and, if necessary, with a specific detergent.*
- ⚠ *Never apply the detergent directly to the fabric. It is essential to proceed manually from the edges to the inside. Let dry in the open air, without ironing or vaporizing.*
- ⚠ *Once the cushions are removed from the covers, the fabrics must be dry cleaned by a specialist.*
- ⚠ *Care should be taken to turn the covers inside out before washing them.*
- ⚠ *Soap must be neutral and free of optical bleaches, as common detergents contain whiteners that can cause colour alteration.*
- ⚠ *Clean the wooden structure with a soft damp cloth, without using solvents or aggressive substances.*

- ⚠ *Poltronaova will not be liable for products that are modified or used improperly.*
- ⚠ *Poltronaova will replace merchandise with manufacturing defects only if the product is intact in all its parts and provided with the original or equivalent packaging.*



english

**Centro Studi Poltronaova
per il design srl**
via Lorenzo Bartolini 2,
50124 Firenze – Italy
www.poltronaova.it
info@poltronaova.it

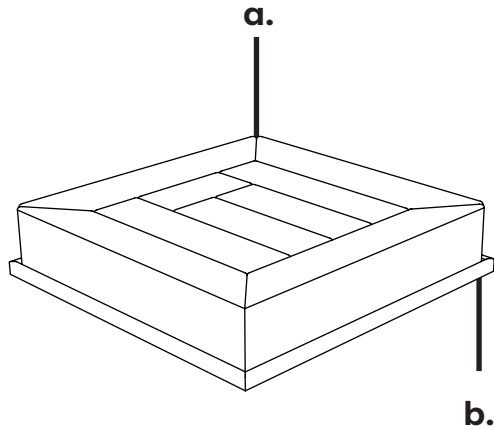
poltronaova

Rumble

instructions

components

- a. cushions
- b. frame

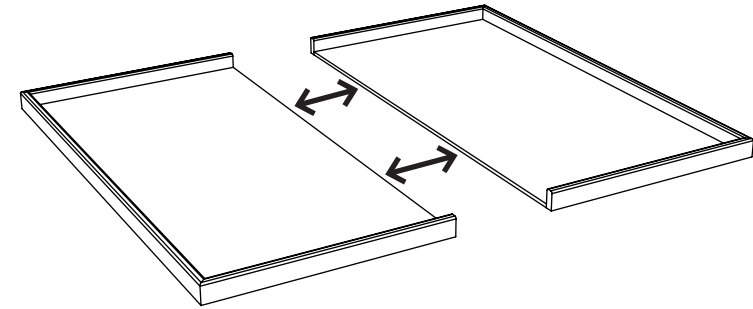


installation & maintenance

Clean the wooden structure with a soft damp cloth, without using solvents or aggressive substances. To wash the cushions, pull them off paying special attention not to force the zip. The fabrics must be dry cleaned by a specialist, turning the covers inside out before washing.

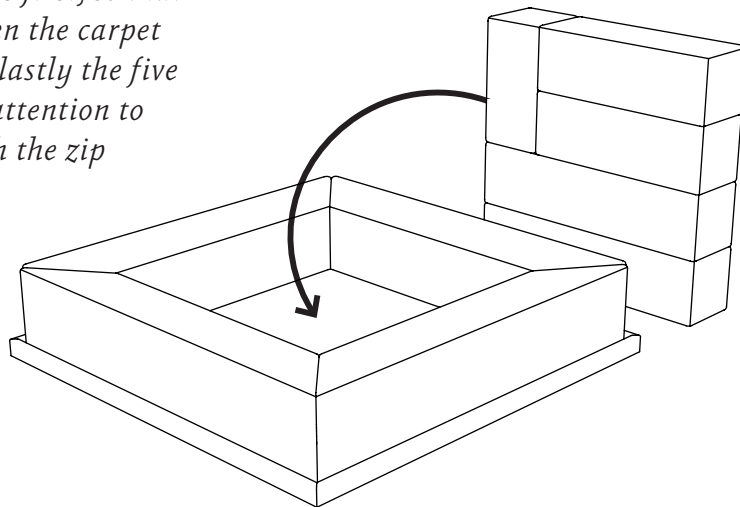
1

Connect the two panels and fix them together by screwing with the provided Allen key.



2

Insert the cushions in the following order: the four side ones first, so that they make a frame, then the carpet cushion in the middle, lastly the five central cushions. Pay attention to place the cushions with the zip facing downwards.



3

You're now ready to enjoy your new Rumble, composing it in all its different combinations.

